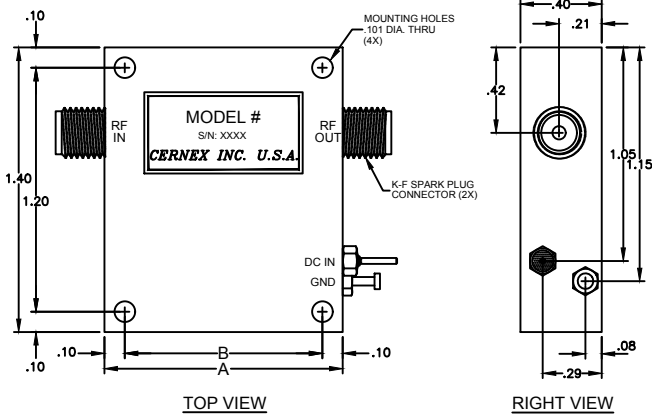
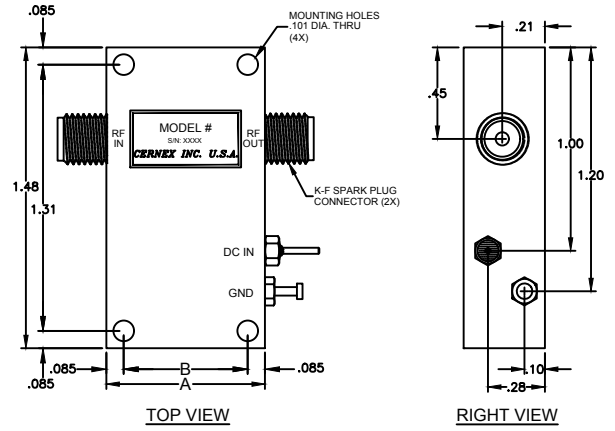


MKS Series



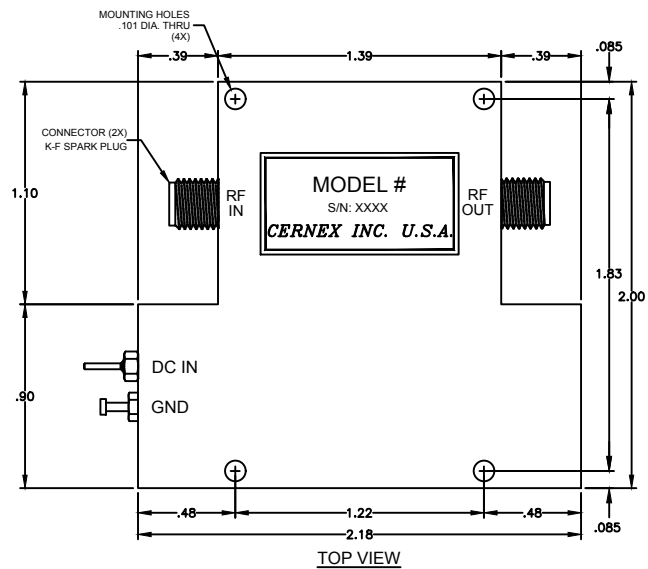
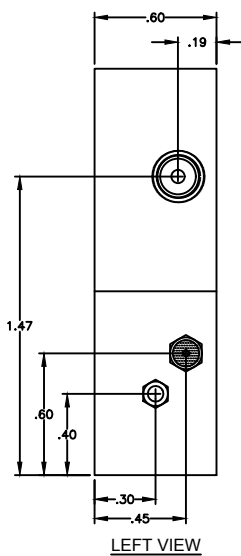
CASE TYPE	DIMENSIONS	
	A	B
MKS2	.95	.75
MKS3	1.17	.97
MKS4	1.39	1.19
MKS5	1.62	1.42

MVCS Series



CASE TYPE	DIMENSIONS	
	A	B
MVCS1	.78	.61
MVCS2	.95	.78
MVCS3	1.16	.99
MVCS4	1.39	1.22

MKPS4



TOLERANCES: .XX ±.01